

Master Pusher MP50/400

The Master Pusher is the most effective way to push wheeled loads that require no steering. With an application on rails a pushing capacity of up to 100,000kg can be achieved. The direct gearbox and motor supplies endless power, supported by the Tug's tough steel chassis. The adjustable height coupling adds flexibility as standard making it very easy to work with your existing equipment.

Benefits

- Moves loads up to 40000 kg
- Electric tug which operates on rough terrain
- Increases productivity
- Low maintenance, high power electric tug
- Reduces manual handling
- Improves safety
- Reduces compensation claims
- Powerful yet easy to use electric tug
- Compact size
- Supplied with full 1-year guarantee

Key Features

- Low maintenance electric tug
- Speed and performance of the tug can be specified by customer
- Adjustable Couplings allow movement of almost any heavy load
- Secondary electromagnetic braking and emergency reverse
- Direct drive transmission
- Able to work outside in adverse weather conditions
- Unique coupling system transfers the weight of the load to the wheels of the tug for superior traction.



Master Pusher MP50/400

Technical Data - Master Pusher MP50/400

Identification

Product Code	MP50/400
Maximum Recommended Load Weight	40000 kg
Drive Type	Electric
Braking	Regenerative
Parking Brake	Electromagnetic
Operation	Pedestrian
Steering	Manual
Standard Colour	Yellow

Weight

Machine Weight (Excluding Battery)	170 kg
Standard Battery Weight	36 kg

Wheels

Drive Wheel Type	Industrial Pneumatic
------------------	----------------------

Mast

Standard Coupling Type	Multi Height Male Box
------------------------	-----------------------

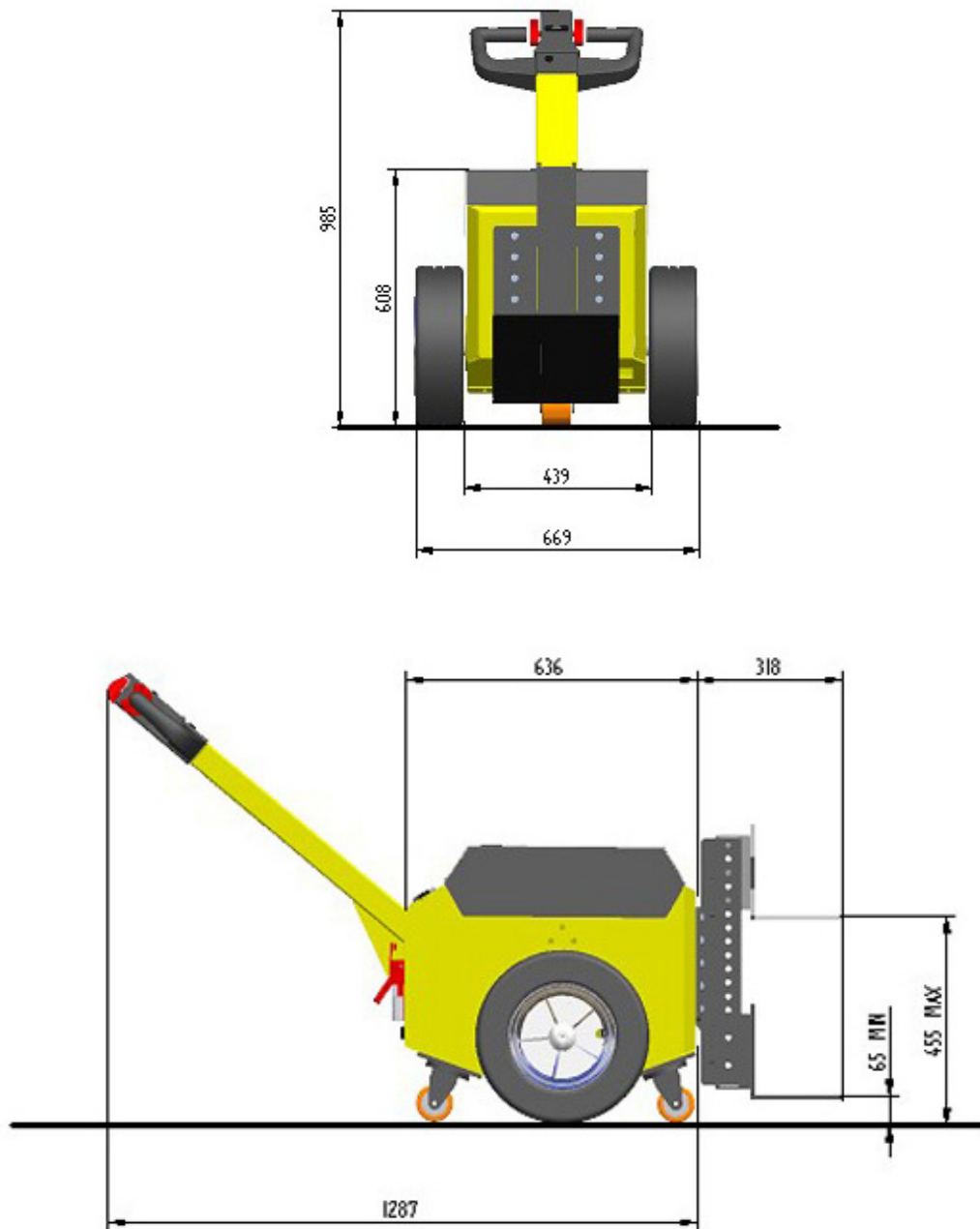
Power Output

Drive Motor Power	1.5 kW DC
Gearbox type	Transaxle
Controller Type	Series Wound DC
Maximum Programmable Speed	6 kph
Standard Power Source	24 Volt 85A/H Flooded

Charging

Standard Charger Type	Wall Mounted Microprocessor
Mains Input Supply	220 - 240 V
Standard Output	10 A
Re-charge Time	7 h

Dimensions - Master Pusher MP50/400



MasterMover®

World leader in pedestrian operated tugs

Our full product range of handling solutions

MasterMover Ltd have been designing and manufacturing pedestrian electric tugs for over a decade. Traction, power and safety are all standard features of our electric tugs which enables their use in all industries. They eliminate manual handling, improve Health & Safety and increase productivity.

MasterMover can move wheeled and semi wheeled loads ranging from 50 to 100,000 kg and with an innovative range there is a machine to suit all applications. We offer full warranty, After Sales Service and Flexible Contract Hire options on all machines.



MasterMover Ltd - Registered in England No. 6776797

Registered Office:

Moor Farm Road, Airfield Industrial Estate, Ashbourne, Derbyshire, DE6 1HD, United Kingdom.

MasterMover® All Rights Reserved ©2009 MasterMover Ltd.