

Trolley System

The Trolley Tug System, when used in conjunction with the Master Tug, is a highly effective means of reducing manual handling and improving efficiency and safety. The unique linkage system ensures the last unit always follows the same route as the lead cart, allowing multiple deliveries to line side without the need for wide delivery aisles.

Benefits

- Reduced manual handling
- JIT component deliveries to the shop floor
- Allows you to hold less inventory on the shop floor
- Each trolley can move upto 1,000kgs

Key Features

- Twin axle steer allowing manoeuvrability within small areas
- Releases staff from delivery tasks
- Quick hitch coupling system



Trolley System

Technical Data - Trolley System

Identification

Weight

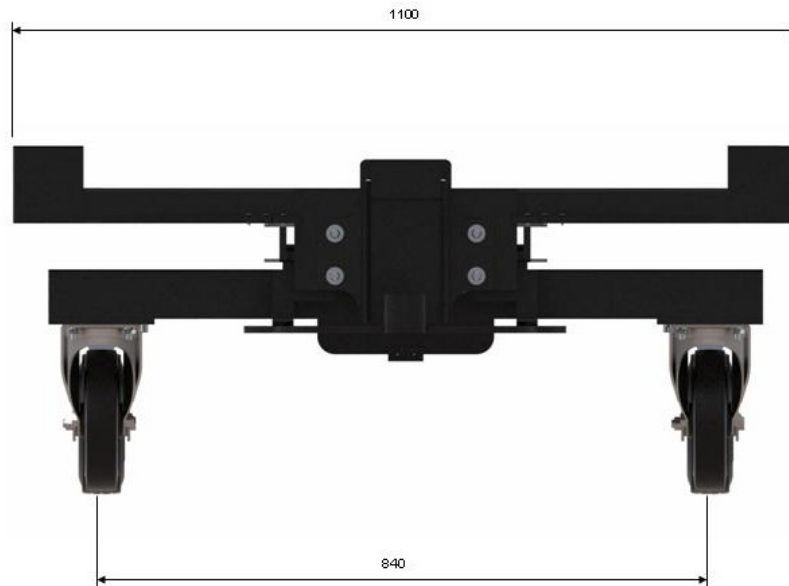
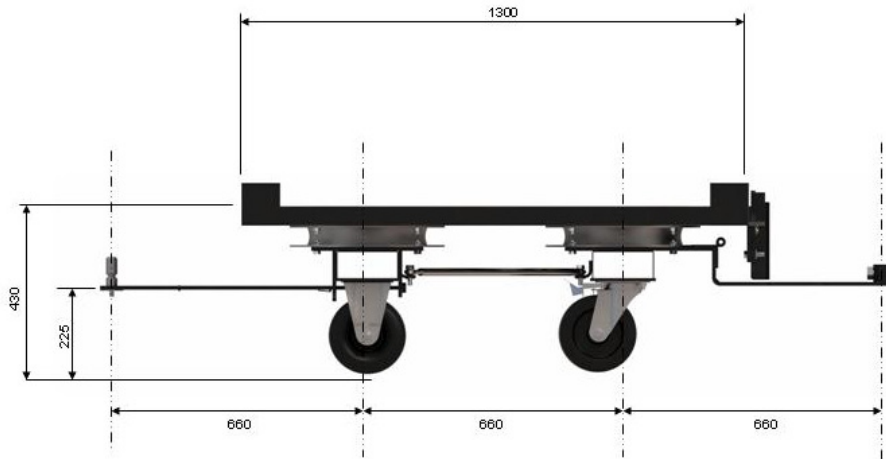
Wheels

Mast

Power Output

Charging

Dimensions - Trolley System



MasterMover®

World leader in pedestrian operated tugs

Our full product range of handling solutions

MasterMover Ltd have been designing and manufacturing pedestrian electric tugs for over a decade. Traction, power and safety are all standard features of our electric tugs which enables their use in all industries. They eliminate manual handling, improve Health & Safety and increase productivity. MasterMover can move wheeled and semi wheeled loads ranging from 50 to 100,000 kg and with an innovative range there is a machine to suit all applications. We offer full warranty, After Sales Service and Flexible Contract Hire options on all machines.



MasterMover Ltd - Registered in England No. 6776797

Registered Office:

Moor Farm Road, Airfield Industrial Estate, Ashbourne, Derbyshire, DE6 1HD, United Kingdom.
MasterMover® All Rights Reserved ©2009 MasterMover Ltd.