

Master Tow MH3-Tow

The Master Tow is a powerful pedestrian operated electric tug designed to pull and push loads fitted with a towing eye. With a towing capacity up to 2000kg it is ideal to use in commercial environments. The natural weight creates excellent traction and with its easy controls moving and stopping a rolling load is safe and effective.

Benefits

- Moves loads up to 2000 kg
- Increases productivity
- Pedestrian operated
- Improves safety
- Reduces compensation claims
- Powerful yet easy to use electric tug
- Compact size
- Supplied with full 1-year guarantee

Key Features

- Tows loads with ball hitch or towing eye couplings
- Speed and performance of the tug can be specified by customer
- The drive wheel swivels through 180 degrees allowing the load to be turned on its axis
- Secondary electromagnetic braking and emergency stop
- Sealed to work in adverse conditions where heat and water may be present
- Low maintenance electric tug



Master Tow MH3-Tow

Technical Data - Master Tow MH3-Tow

Identification

Product Code	MH3 Tow
Maximum Recommended Load Weight	2000 kg
Drive Type	Electric
Braking	Regenerative
Parking Brake	Electromagnetic
Operation	Pedestrian
Steering	Manual
Standard Colour	Yellow

Weight

Wheels

Drive Wheel Type	Polyurethane
Drive Wheel Shore Hardness	85 sh
Support Castors	Polyurethane

Mast

Connection Type	3 Stage Pin
-----------------	-------------

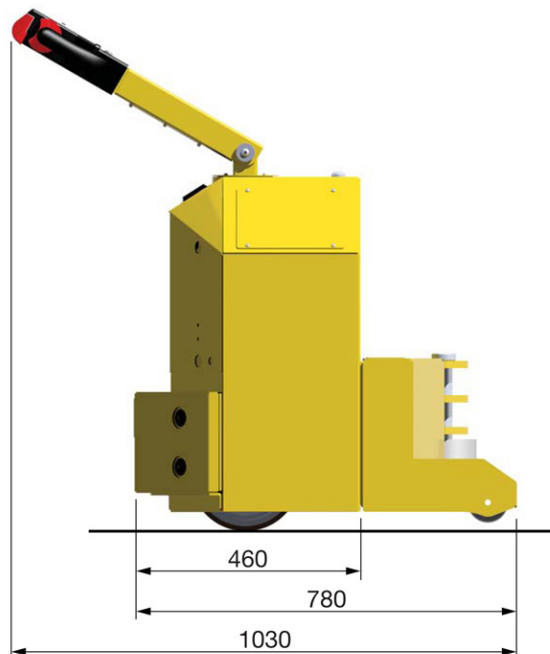
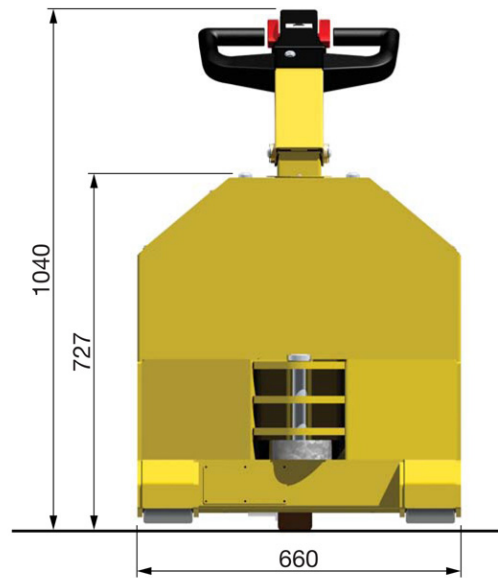
Power Output

Drive Motor Power	1.6 kW DC
Gearbox type	Planetary
Controller Type	Sepex DC
Maximum Programmable Speed	6 kph
Standard Power Source	24 Volt 75A/H AGM

Charging

Standard Charger Type	Wall Mounted Microprocessor
Mains Input Supply	220 - 240 V
Standard Output	10 A
Re-charge Time	6 h

Dimensions - Master Tow MH3-Tow



MasterMover®

World leader in pedestrian operated tugs

Our full product range of handling solutions

MasterMover Ltd have been designing and manufacturing pedestrian electric tugs for over a decade. Traction, power and safety are all standard features of our electric tugs which enables their use in all industries. They eliminate manual handling, improve Health & Safety and increase productivity. MasterMover can move wheeled and semi wheeled loads ranging from 50 to 100,000 kg and with an innovative range there is a machine to suit all applications. We offer full warranty, After Sales Service and Flexible Contract Hire options on all machines.



MasterMover Ltd - Registered in England No. 6776797

Registered Office:

Moor Farm Road, Airfield Industrial Estate, Ashbourne, Derbyshire, DE6 1HD, United Kingdom.
MasterMover® All Rights Reserved ©2009 MasterMover Ltd.